

For those who have access to the Internet, Timewave may be contacted at

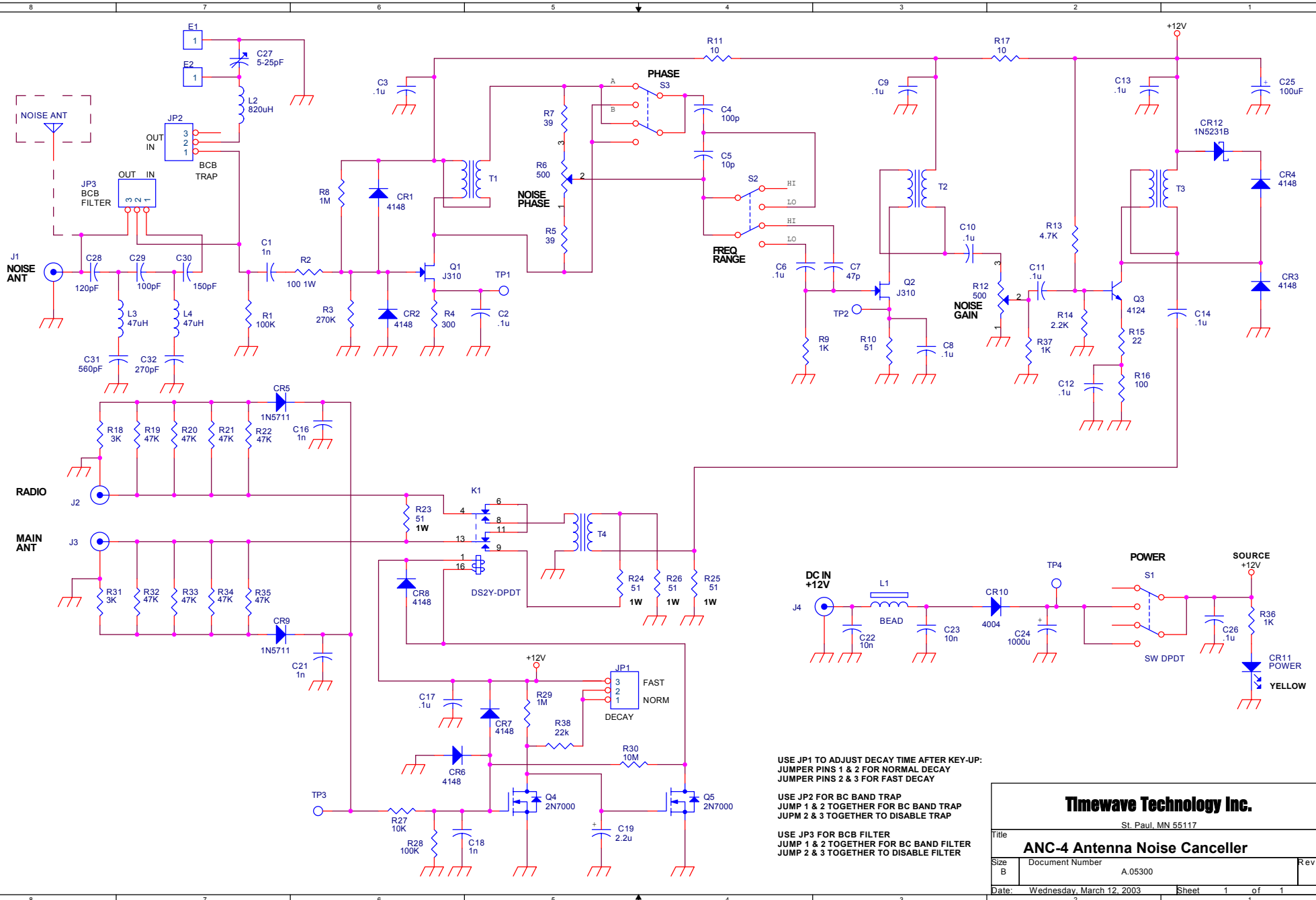
**Email: [techsupport@timewave.com](mailto:techsupport@timewave.com)  
[service@timewave.com](mailto:service@timewave.com)  
[sales@timewave.com](mailto:sales@timewave.com)**

Timewave also has a Home Page on the World Wide Web

**<http://www.timewave.com>**

Here you may register a product, view a specification sheet and photo,  
 request the latest product catalog, view product FAQs, and  
 read about product upgrades when available.

Feel free to email us if you have technical questions  
 or comments about your Timewave product.



USE JP1 TO ADJUST DECAY TIME AFTER KEY-UP:  
 JUMPER PINS 1 & 2 FOR NORMAL DECAY  
 JUMPER PINS 2 & 3 FOR FAST DECAY

USE JP2 FOR BCB BAND TRAP  
 JUMP 1 & 2 TOGETHER FOR BCB BAND TRAP  
 JUMP 2 & 3 TOGETHER TO DISABLE TRAP

USE JP3 FOR BCB FILTER  
 JUMP 1 & 2 TOGETHER FOR BCB BAND FILTER  
 JUMP 2 & 3 TOGETHER TO DISABLE FILTER

<b>Timewave Technology Inc.</b>		
St. Paul, MN 55117		
Title <b>ANC-4 Antenna Noise Canceller</b>		
Size B	Document Number A.05300	Rev
Date: Wednesday, March 12, 2003		Sheet 1 of 1